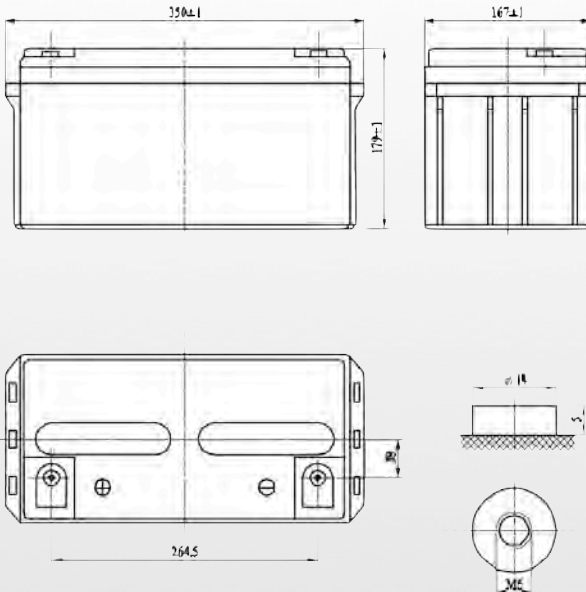




**Maintenance free
sealed lead acid batteries**
APS General Purpose Series

APS1265 (12V 65Ah)

Approx. Weight: 20.4 Kg



APPLICATIONS

- Emergency power systems
- Telecommunications
- Emergency lighting
- Control equipment
- Alarm & security systems
- Cable TV
- Medical equipment
- Power tools
- Toys



APPLICABLE STANDARDS

- JIS, DIN, IEC60896-2, BS 6290-4, IATA, UL, CE

APS General Purpose Series batteries are designed for applications such as UPS, telecom, electrical utilities etc. With 5 years design life, the batteries comply with the most popular international standards such as IEC896-21/22, BS6290-4, Eurobat Standard Commercial. The battery container and cover are available in both UL94V0 flame retardant ABS or HB ABS plastic. With more than 15 years of production experience the **APS General Purpose** Series of VRLA batteries are recognized as one of the most reliable and high quality battery system in the industry.

INNOVATIVE FEATURES

- Absorbent Glass Matt (AGM) technology
- Computer designed lead-calcium tin alloy grid
- Superior energy density
- Low internal pressure
- Low self-discharge
- Useable in any orientation
- Optional flame Retardant ABS container
- UL-recognized component.

TECHNICAL SPECIFICATIONS

Voltage 12 volt nominal
 Plate alloy Lead Calcium
 Container/Case ... ABS
 Charge voltage Float: 13.6 to 13.8 V @ 25 deg C
 IR 5.5mΩ, fully charged @ 25 deg C
 Max. Recharge 0.4 C20 (Amperes)
 Max. Discharge 115 Amperes
 Shelf life 6 months @ 25 deg C
 Design life 5 years

APS1265 Technical Specifications

Constant Current Discharge Data* (Amperes @ 25°C)

End Voltage Per cell/V	10min	15min	20min	25min	30min	35min	40min	45min	50min	55min	60min
1.60	151	126	101	86	75.4	66.8	60.3	55.1	51.0	47.5	45.1
1.65	144	121	95	82	73.3	65.2	59.4	54.9	50.0	47.1	44.0
1.70	137	115	93	80	71.3	63.0	56.9	56.9	48.1	45.6	43.0
1.75	129	109	90	78	69.2	62.8	56.6	56.6	47.6	44.2	41.9
1.80	120	102	83	73	66.9	58.9	53.4	53.4	45.0	43.5	41.0

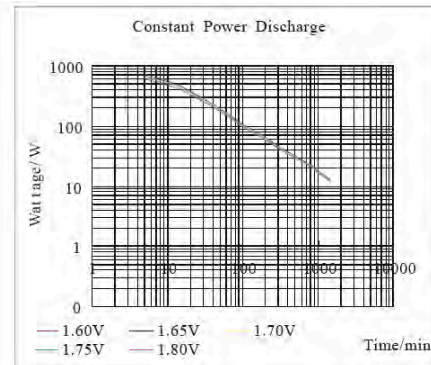
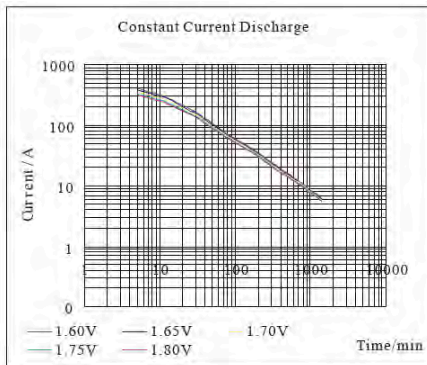
	1.5hr	2h	2.5hr	3h	5h	6hr	7hr	8hr	10hr	12hr	24hr
1.60	31.5	24.8	20.9	18.4	11.8	10.2	9.05	8.20	6.70	5.90	3.20
1.65	31.0	24.5	20.2	18.0	11.6	10.0	8.83	8.02	6.58	5.81	3.14
1.70	30.4	24.0	20.0	17.6	11.3	9.7	8.66	7.87	6.56	5.75	3.06
1.75	29.4	23.3	19.8	17.2	11.0	9.5	8.49	7.70	6.53	5.62	3.00
1.80	29.2	23.0	19.1	16.9	10.7	9.2	8.34	7.57	6.50	5.53	2.92

Constant Power Discharge Data* (Watts per cell @ 25°C)

End Voltage Per cell/V	10min	15min	20min	25min	30min	35min	40min	45min	50min	55min	60min
1.60	275	207	173	146	129	116	104	99.1	92.5	86.8	81.8
1.65	261	203	162	139	128	115	103	97.6	90.4	84.6	80.0
1.70	246	200	154	131	127	113	101	95.7	88.5	82.7	78.3
1.75	231	296	157	128	124	111	99	93.6	86.5	80.8	76.5
1.80	215	187	145	125	122	108	97	91.3	84.7	79.4	75.7

	1.5hr	2h	2.5hr	3h	5h	6hr	7hr	8hr	10hr	12hr	24hr
1.60	58.6	47.5	40.3	33.8	22.5	19.4	17.1	15.35	12.97	10.99	5.92
1.65	57.0	46.6	39.4	33.2	22.2	19.1	16.8	15.07	12.71	10.84	5.81
1.70	56.1	45.6	39.1	32.5	21.7	18.8	16.6	14.90	12.54	10.68	5.76
1.75	54.4	44.5	37.8	31.8	21.0	18.5	16.4	14.70	12.45	10.58	5.72
1.80	53.4	43.3	36.7	31.1	20.6	18.3	16.2	14.60	12.35	10.49	5.66

*All data is within standard production tolerances, electrical values are approximate and APS reserves the right to modify data without prior notice.
NB. The above characteristics data are average values obtained within three charge/discharge cycles not minimum values.



APS Singapore
20 Havelock Road
#02-04 Central Square
Singapore 059765
Singapore
Tel: +65 6536 8745
sg.info@apspowersolutions.com

APS Australia
PO Box 163
Floreat, WA 6014
Western Australia
Australia
Tel: +61 (0)429 212 927
au.info@apspowersolutions.com

APS Europe
Avebury House
St. Peter Street, Winchester
Hampshire, SO23 9EH
United Kingdom
Tel: +44 (0)751 809 9728
eu.info@apspowersolutions.com